



Manual Beeswax Machine Casting Mould Embossing Machine comb foundation Machine for Beekeeping

Our Product Introduction

for more products please visit us on bee-keepingequipment.com

Basic Information

- Place of Origin: China
- Brand Name: Bee star
- Model Number: 20HN-12
- Minimum Order Quantity: 2 pcs
- Price: US\$208.50/pcs---US\$236.50/pcs
- Packaging Details: carton package
- Delivery Time: 10-15 working day, depending on the order quantity
- Payment Terms: L/C, T/T, Western Union
- Supply Ability: 1000pcs per month

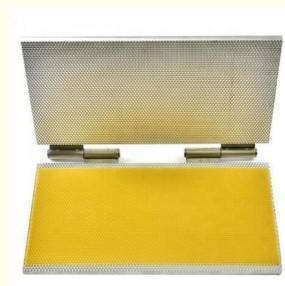
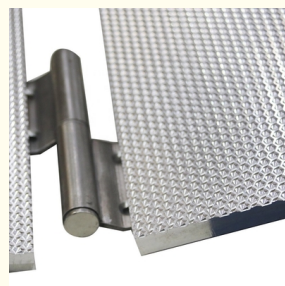


Product Specification

- Product Name: Manual Beeswax Press Machine
- Material: METAL
- Colour: Metal Color
- Usage: Beekeeping Equipments
- Roller Length: 420*270 Mm
- Type: Dandant Size
- Name: Bee Wax Foundation Sheet Making Machine
- Cell Size: 5.4 Or 4.9mm
- Weight: 7kg
- Origin: China
- MOQ: 2
- Highlight: **Beekeeping Beeswax Machine, Beekeeping Mould Embossing Machine, Casting Mould Embossing Machine**



More Images



Product Description




Casting Mould Embossing Machine or Manual Square Foundation Wax Mould for beekeeping

Beeswax foundation sheet machine

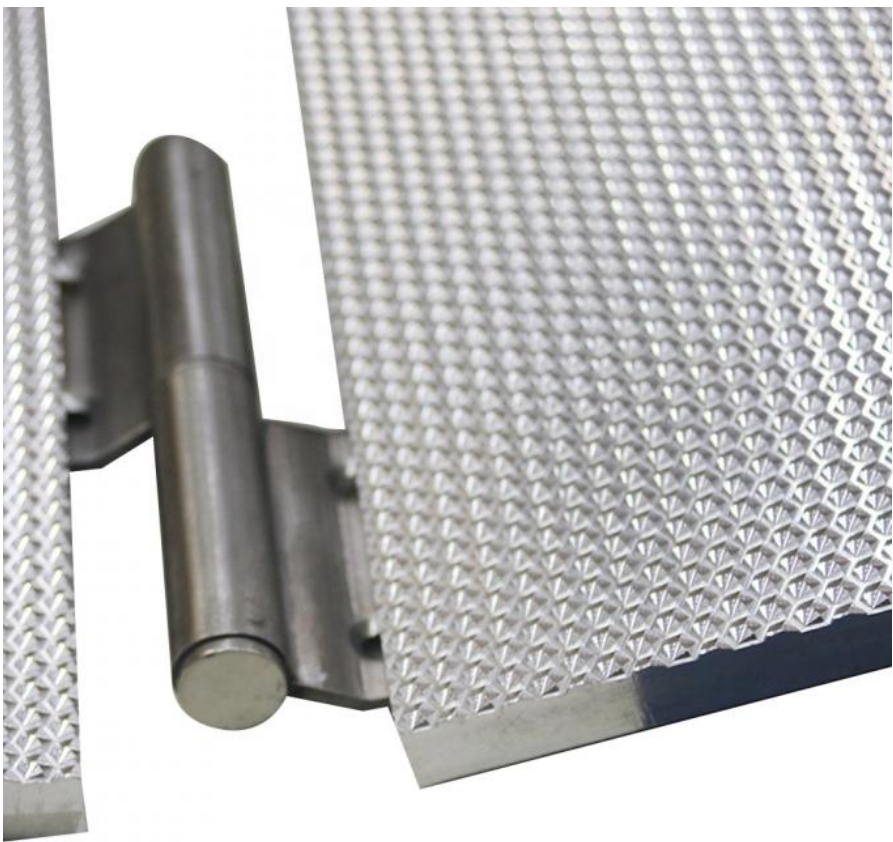
Beeswax foundation sheet machine is used to make beeswax foundation sheet for beekeeping, It usually consist of two rollers fixed horizontally close together in a cast iron frame, the surface of these rollers has a honeycomb cell design which embosses the comb foundation sheet. Manual, electric and fully automatic bees wax foundation machine can be available according to your diverse requirement. Manual Tablet press machine is used to make plain and pure beeswax sheet.

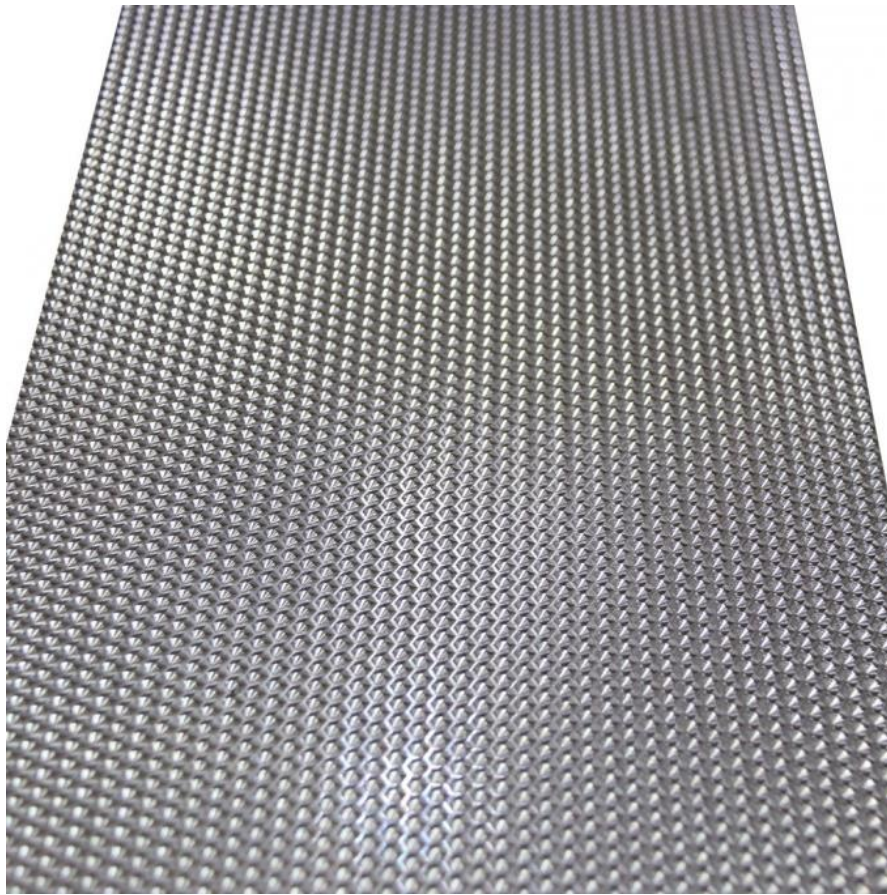
Feature:

- A. Coated with a protective layer ,our handlebar is not easy to be damaged inside. Feeling more comfortable and not easy sliding
- B. Applied with numerical control engraving machine,our comb machine rollers have more precise and durable cell pattern
- C. Beeswax foundation sheets made by our comb foundation machine have uniform thickness and hconsistent size
- D. Cheaper price and higher quality

| | | | |
|-----------|--------------------------------|--|---|
| 18HN-03-1 | Manual comb foundation Machine |  | 420*220 African size, cell:4.9mm Other special size could be customized as your requirement Langthroth size |
| 18HN-03-2 | Manual comb foundation Machine |  | 420x205mm Other special size could be customized as your requirement |
| 18HN-03-3 | Manual comb foundation Machine |  | 420x270mm Other special size could be customized as your requirement Dandant size |







Company Profile

Bee Star is the one-stop shop for beekeeping equipment and supplies. Our wide arrange of categories and product diversity, together with our competitive prices, allow us to satisfy our clients different demands, such as our clients in South America or Europe, and bring them to a very efficient experience. The heart of our company is located in the city of Chengdu, in China, where our experienced team sets out the best service to our customers; obtaining the best prices, performing regular quality checks on the products, and obtaining the necessary documents to facilitate the entrance of the goods to your country. We are proud of our way to do business and the good relationships that this allowed us to build with our customers all over the world. Do not hesitate to contact us, we are looking forward to assist you!

Workshop

Exhibition

Our Advantages

1. BEEKEEPING EXPERIENCE .

More than 40 years' beekeeping experience , we start from professional beekeeper family.

2. SERIOUS QULITY INSPECT .

All our quality inspectors are special beekeepers who help to control products' quality before the dispatch of goods. three quality inspect procedures to keep quality been satisfied.

3. COST CONTROL .

From factories to customers directly, help to save your cost a lot.

4. BEST AFTER-SALE SERVICE.

If there are quality problem or package problem happening when customers get goods, we promise to solve it well with our true heart. Until right now , our customer satisfaction is 100%.

5. STANDARD EXPORT PACKAGE.

We use 5 layers thick and strong cartons to pack our common beekeeping equipment. Use wooden box to protect some machines , use foam carton or carton with iron frames to protect our honey extractors .

6. PROFESSIONAL EXPORT EXPERIENCE.

More than 8 years' export experience to help you work smoothly. No matter where you would like us to send the goods , we will satisfy your requirements.

F.A.Q

Q1. What is the advantage about your company?

A1. Our company has professional team and professional production line.

Q2. Why should I choose your products?

A2. Our products are high quality and low price.

Q3. The logo and the color can be customized?

A3. Yes, we welcome you to sample custom.


Q4. Any other good service your company can provide?

A4. Yes, we can provide good after-sale and fast delivery.

 **BEE STAR TO GLORIFY YOUR WONDERFUL HONEY LIFE**

 0086 18582997231

 cherrybeekeeping@myldhoney.com

 bee-keepingequipment.com

No. 21, 3rd Floor, Building 1, No. 888 Jilong Road, Chengdu High tech Zone, China