



Apiculture 8 frame 10 frame Bee Hive Holder

Our Product Introduction

for more products please visit us on bee-keepingequipment.com

Basic Information

- Place of Origin: China
- Brand Name: Bee star
- Model Number: 09HN-03-1
- Minimum Order Quantity: 50pcs
- Price: \$ 11.41-----\$13.56
- Packaging Details: carton package
- Delivery Time: 15--30 working day, depending on the order quantity
- Payment Terms: L/C, T/T, Western Union
- Supply Ability: 10000pcs per month



Product Specification

- Product Name: Beehive Support
- Application: Apiculture
- Material: Plastic
- Size: 8 Frame And 10 Frame Can Be Customized
- Highlight: **10 Frame Bee Hive Holder ,
8 Frame Bee Hive Holder ,
8 Frame bee hive frame holder**



More Images

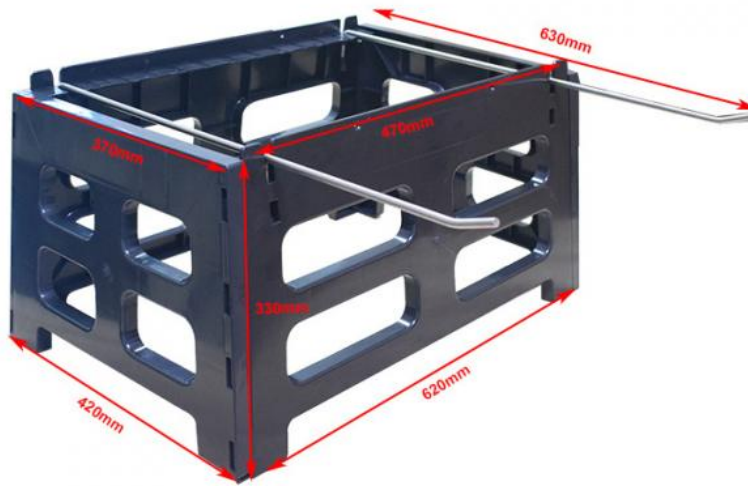


Product Description

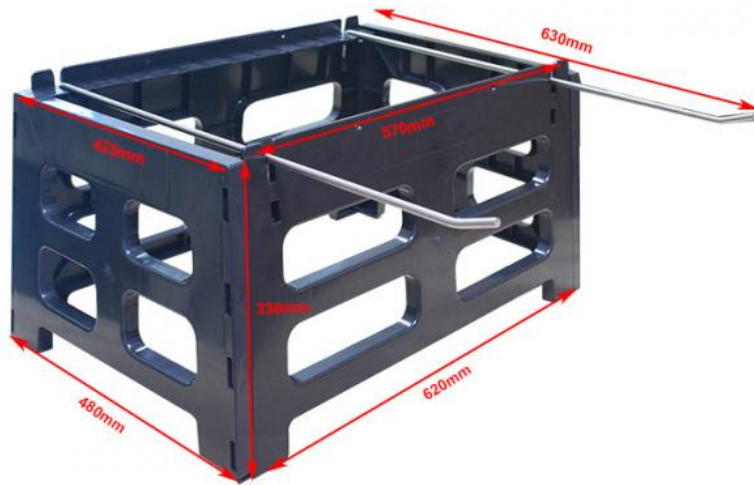
The New type beehive support beehive holder

The unique of beehive support or hive holder

1. This product is made of good quality of plastic , it is very strong . And use for long time
2. This product is use for the beehive and frame , it is very easy to handle . Just put the beehive on it .
3. We also support the customized as your require , normally we have 8 fame and 10 frame size , other size we also support , welcome your message



8 frames



10 frames

The product name	beehive support or hive holder
Material	Plastic
Size	8 frame and 10 frame ,other size can be customized
color	Black

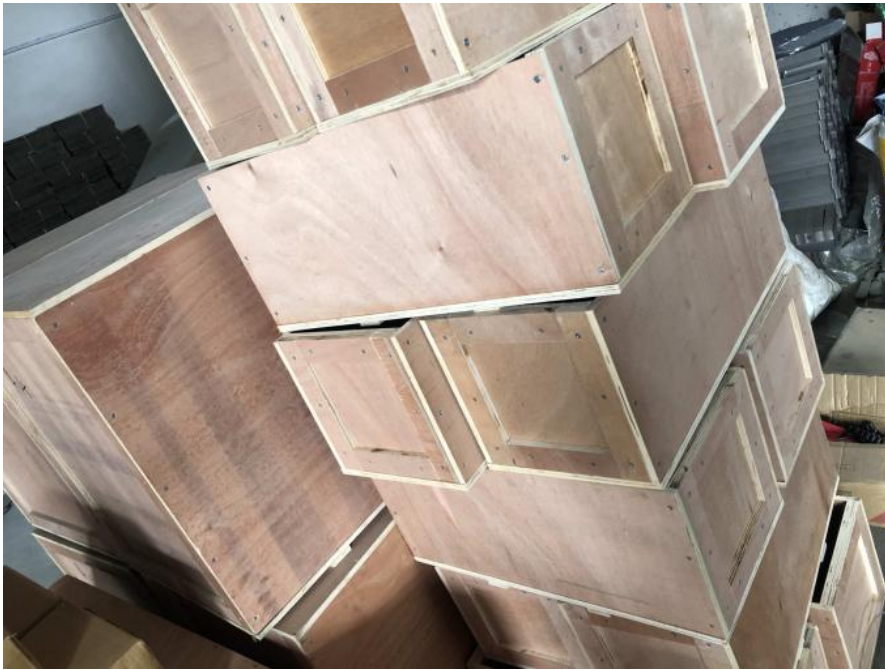


Company Profile



Bee Star is the one-stop shop for beekeeping equipment and supplies. Our wide arrange of categories and product diversity, together with our competitive prices, allow us to satisfy our clients different demands, such as our clients in South America or Europe, and bring them to a very efficient experience. The heart of our company is located in the city of Chengdu, in China, where our experienced team sets out the best service to our customers; obtaining the best prices, performing regular quality checks on the products, and obtaining the necessary documents to facilitate the entrance of the goods to your country. We are proud of our way to do business and the good relationships that this allowed us to build with our customers all over the world. Do not hesitate to contact us, we are looking forward to assist you!

Workshop



Our Advantages

OUR ADVANTAGE



QUALITY ASSURANCE

We have carried out strict inspection of every part and product, trying to have no quality problems in the hands of customers.



GOOD SERVICE

Answer the customer's question within 8 hours, and the service engineer will be on standby 24 hours a day.

01

02

04

03



PRICE ADVANTAGE

Factory direct sales, no middlemen price difference.



RICH EXPERIENCE

The products are sold to more than 20 provinces, cities and autonomous regions in China and exported to dozens of countries in Africa and Southeast Asia.

F.A.Q.

1. Are You Factory/Manufacturer or Trading Company?

We are a factory for beekeeping products in China with over 10 years experience. You can trust the quality and price of our products.

2. Do You Offer OEM/ODM Service?

Yes, we have a rich experience in offering OEM/ODM service in some of our products. Design service offered. Buyer label offered.

3. What is your MOQ? Can we get a small order for the first time?

Of course, you can. But we can't send small quantity by sea, so the price will be a little higher than larger quantity.


4. How About the Shipping Cost?

If the order is not large, we can send goods to you through air or express shipping methods such as FEDEX or DHL. If your order is large, we will send it to you by sea. Once the order is placed, we will quote the price to you. Generally, we always choose the most price-efficient option for you!

 **BEE STAR TO GLORIFY YOUR WONDERFUL HONEY LIFE**

 0086 18582997231

 cherrybeekeeping@myldhoney.com

 bee-keepingequipment.com

No. 21, 3rd Floor, Building 1, No. 888 Jilong Road, Chengdu High tech Zone, China